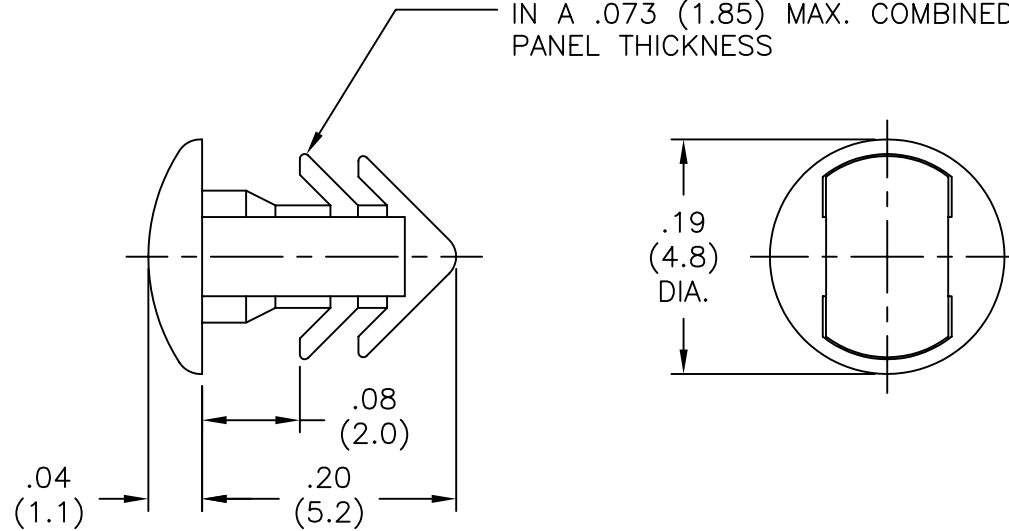


TO FIT A .126-.138 (3.2-3.5) DIA HOLE,  
IN A .073 (1.85) MAX. COMBINED  
PANEL THICKNESS



NOTES:

1. MAT'L: NYLON 6/6 (RMS-01).  
FLAME RETARDANT, NYLON (RMS-19).  
AVAILABLE BY SPECIAL ORDER.
2. COLOR: NATURAL.

<table border="1"> <tr> <td>B</td> <td>CHANGED FILE NUMBER</td> <td>SM 05.17.01</td> </tr> <tr> <td>A</td> <td>ADDED FLAME RETARDANT NOTE</td> <td>MB 5,3,00</td> </tr> <tr> <td>REV</td> <td>DESCRIPTION</td> <td>ENGR DATE</td> </tr> </table>			B	CHANGED FILE NUMBER	SM 05.17.01	A	ADDED FLAME RETARDANT NOTE	MB 5,3,00	REV	DESCRIPTION	ENGR DATE	<table border="1"> <tr> <td colspan="4">TOLERANCES UNLESS NOTED .XX=±.010 .XXX=±.005 FRAC=±1/64 ANG=±1°</td> </tr> <tr> <td>FILE #</td> <td>MPLE3.2M/3.5M</td> <td>DWN:</td> <td>J.B.</td> </tr> <tr> <td>MAT'L:</td> <td>SEE NOTES</td> <td>DT:</td> <td>12-18-96</td> </tr> <tr> <td>RE:</td> <td>RICHCO, INC.</td> <td>DT:</td> <td></td> </tr> </table>				TOLERANCES UNLESS NOTED .XX=±.010 .XXX=±.005 FRAC=±1/64 ANG=±1°				FILE #	MPLE3.2M/3.5M	DWN:	J.B.	MAT'L:	SEE NOTES	DT:	12-18-96	RE:	RICHCO, INC.	DT:		<table border="1"> <tr> <td colspan="2">APP:</td> </tr> <tr> <td colspan="2">RICHCO INC. PO BOX 804238, CHICAGO, 60680 (773) 539-4060</td> </tr> </table>		APP:		RICHCO INC. PO BOX 804238, CHICAGO, 60680 (773) 539-4060		<table border="1"> <tr> <td colspan="2">DWG IN IN(MM)</td> </tr> <tr> <td colspan="2">FINAL</td> </tr> <tr> <td>PART #</td> <td>MPLE-3.2/3.5M-01</td> </tr> </table>		DWG IN IN(MM)		FINAL		PART #	MPLE-3.2/3.5M-01	<table border="1"> <tr> <td>PRINT TYPE</td> <td>CA</td> </tr> </table>	PRINT TYPE	CA
B	CHANGED FILE NUMBER	SM 05.17.01																																														
A	ADDED FLAME RETARDANT NOTE	MB 5,3,00																																														
REV	DESCRIPTION	ENGR DATE																																														
TOLERANCES UNLESS NOTED .XX=±.010 .XXX=±.005 FRAC=±1/64 ANG=±1°																																																
FILE #	MPLE3.2M/3.5M	DWN:	J.B.																																													
MAT'L:	SEE NOTES	DT:	12-18-96																																													
RE:	RICHCO, INC.	DT:																																														
APP:																																																
RICHCO INC. PO BOX 804238, CHICAGO, 60680 (773) 539-4060																																																
DWG IN IN(MM)																																																
FINAL																																																
PART #	MPLE-3.2/3.5M-01																																															
PRINT TYPE	CA																																															
<table border="1"> <tr> <td colspan="3">TITLE: MINIATURE PAWL-LOCK</td> </tr> </table>			TITLE: MINIATURE PAWL-LOCK																																													
TITLE: MINIATURE PAWL-LOCK																																																